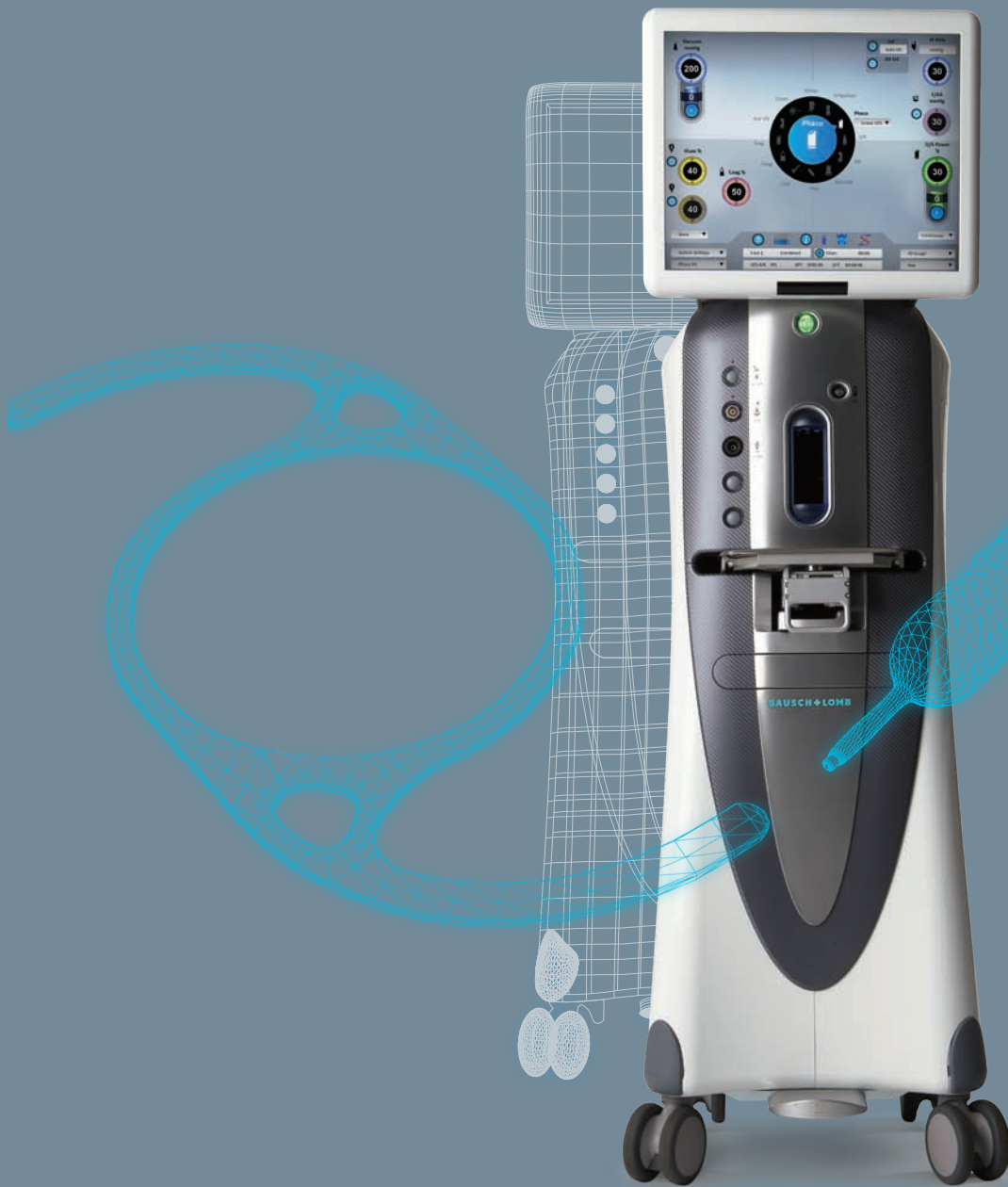


Stellaris Elite™

Vision Enhancement System

CATARACT



BAUSCH + LOMB
See better. Live better.

EMPOWER YOUR SURGICAL TEAM WITH

STELLARIS ELITE™ ANTERIOR

Stellaris Elite™ is designed to promote optimized performance.

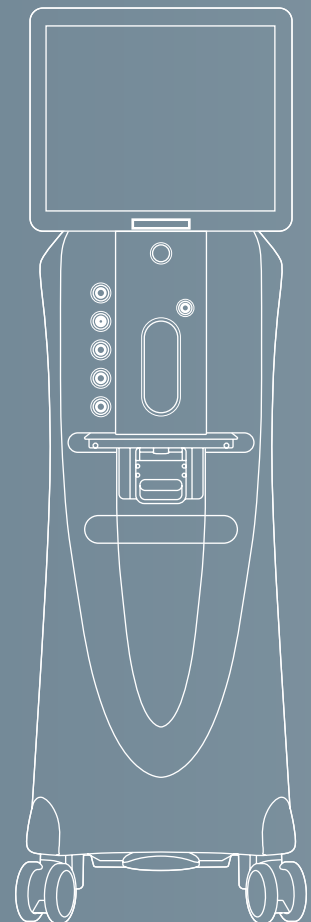
Both the phacoemulsification only version and the combined system comprise innovative features, with the focus on patient safety, effective procedural performance and optimal support for individual surgical techniques.

Designed for the future

Stellaris Elite™ is the result of Bausch + Lomb's extensive experience in the ophthalmology sector. Using state-of-the-art technology, Stellaris Elite™ was designed for this generation but is also ready for the future.

TRUST IN THE WELL-KNOWN STELLARIS® BRAND NAME AND THE EXPERTISE OF BAUSCH + LOMB.

Inspired by our motto, "See Better. Live Better", we are committed to delivering the highest standards in terms of quality and service to get the best results for you and your patients. As a full ophthalmology service provider, we are a trusted partner working alongside you, supporting you every step of the way with comprehensive solutions.





STELLARIS ELITE™ – YOUR PARTNER FOR CATARACT SURGERY

CATARACT

STELLARIS ELITE™

FEATURES & BENEFITS

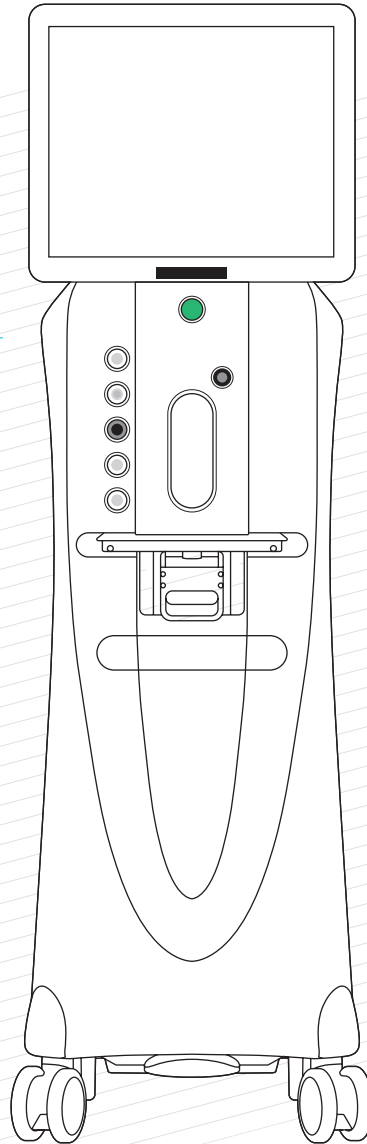


ATTUNE® PHACO

Designed for safety and efficiency
emulsification

Six piezo crystals

- 150 µm movement of the
needle, longitudinal direction
- 28.5 kHz ultrasound handpiece
frequency**



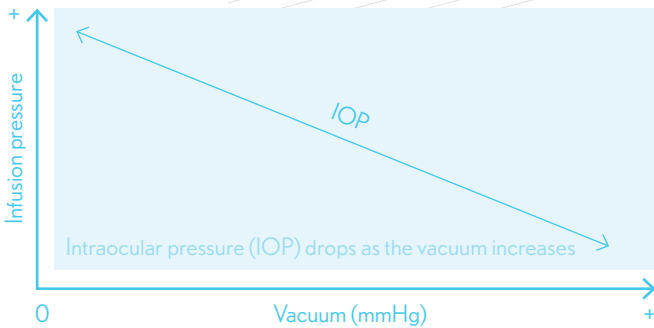
ANTERIOR VITRECTOMY

- 2,500 cuts per minute

Reliability and safety are the main priorities in the operating theatre – Therefore Stellaris Elite™ is equipped with smart functions such as Adaptive Fluidics™ for optimal anterior chamber stability. The innovative fluidics system automatically regulates infusion pressure, giving you more time to focus on the procedure. Combined with the low ultrasound frequency Attune® phaco handpiece, the function has been designed to reduce the likelihood of complications in cataract surgery.

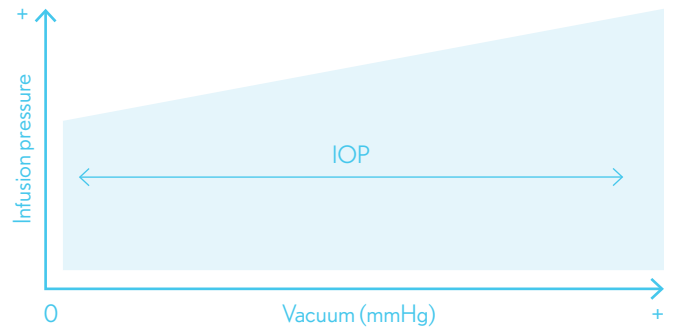


SCHEMATIC ILLUSTRATION OF PHACO FLUIDICS, VACUUM PUMP BASED



With traditionally fixed infusion pressure, Intra Ocular Pressure (IOP) starts high and then drops as vacuum increases.

ADAPTIVE FLUIDICS™

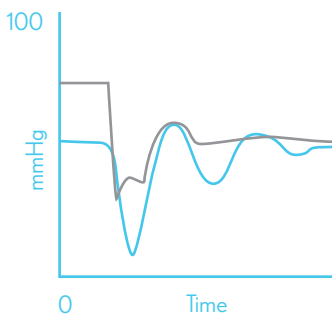


Infusion pressure increases as vacuum increases to smooth out IOP fluctuations.

ADAPTIVE FLUIDICS™

By coupling infusion to vacuum, Stellaris Elite™ automatically regulates the infusion in order to minimize IOP fluctuations.

Stellaris Elite™ vs. Centurion:



— Stellaris Elite™
— Centurion

In experimental testing, Stellaris Elite™ with Adaptive Fluidics™ delivers an effective post-occlusion chamber pressure that's three times higher than Centurion® with Active Fluidics™, resulting in reduced post-occlusion surge.¹

THE BENEFITS AT A GLANCE

- Minimized IOP fluctuations to maintain anterior chamber stability
- Active reflux to enhance safety through various reflux modes



¹ Data on file: Report 128002618_Stellaris Elite Vs Centurion_Dynamic Infusion_Rev C_Feb 2017

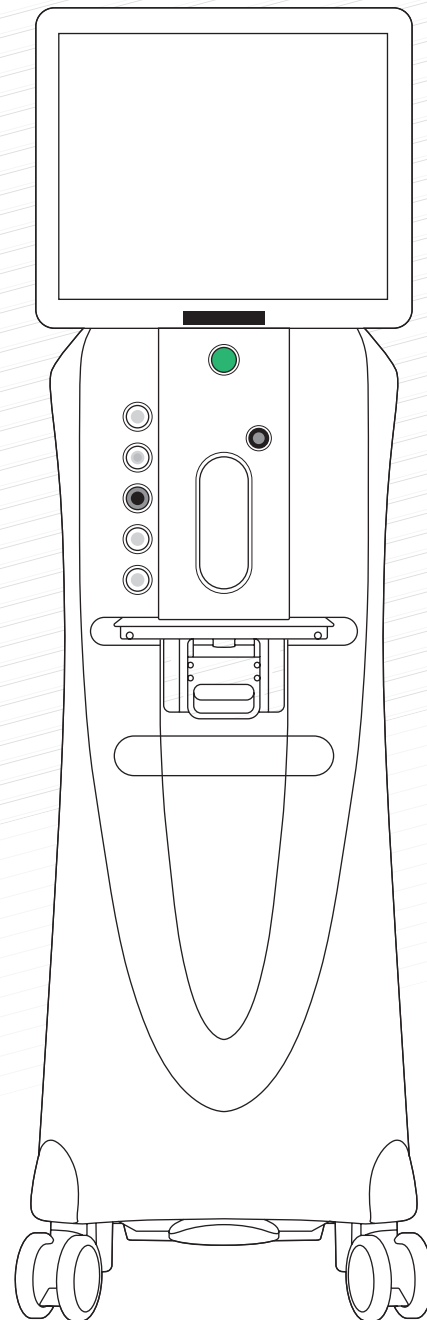
EASE OF USE

EASILY INTEGRATES WITH THE TEAM

When working with technically complex devices, usability defines the added value of a system.

STELLARIS ELITE™ PARTNER CHECK

- Streamlined and compact
- Wireless foot pedal
- Easy set-up in under three minutes thanks to the practical, single-touch prime and tune function
- Instantly usable cassettes with tube system
- Short changeover times
- Practical options, e. g. custom packs and customised instrument trays



Stellaris Elite™ helps you to get even more out of your precious time and resources in the operating theatre. It is ideal for cataract surgery, and integrates easily into every operating theatre. If you need any further assistance, the Bausch + Lomb Team is here to help you – simply contact customer services, technical support, application specialists, area managers or the general office.

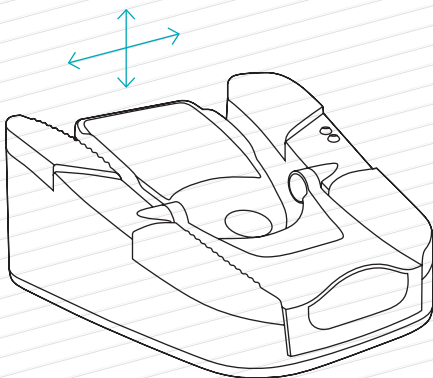


NEW, EVEN MORE USER-FRIENDLY GRAPHIC INTERFACE

INDIVIDUAL PER PROCEDURE TRAYS

The bespoke Per Procedure Tray is a complete kit of Bausch + Lomb's high precision single use instruments that can be organised in accordance with your preferred surgical technique.

Visit www.storzeye.eu to assemble your individual Tray with the **online Per Procedure Tray Configurator**



WIRELESS DUAL LINEAR FOOT PEDAL

- Rapid response
- Individually programmable buttons
- Simultaneous control of irrigation, ultrasound and aspiration

NEW OPTION:

- Continuous irrigation on/off on the yaw

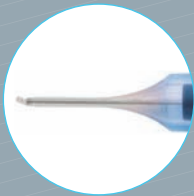
ZERO PHACO HANDPIECE FOR FEMTOCATARACT SURGERY



- Single-use instrument designed for removing soft nuclei following femtosecond laser treatment.
- Combine with Capsule Guard® IA for low energy femto treated cataract.
- Also available for bimanual technique



MICS CAPSULEGUARD® IA HANDPIECE 45°

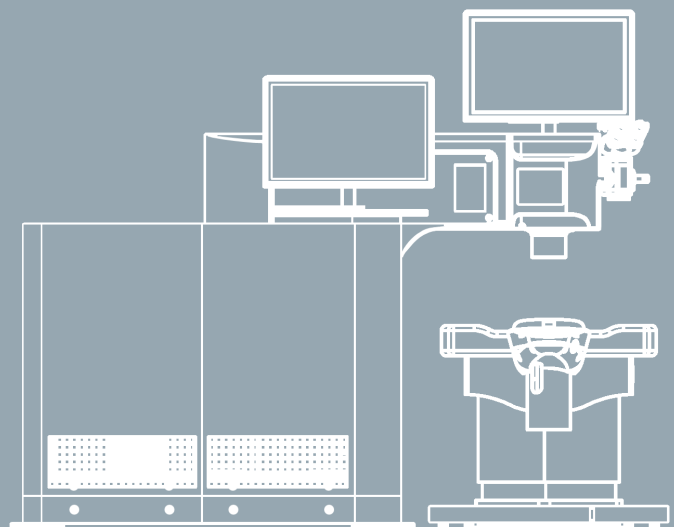


- For all phases of irrigation and aspiration.
- A fully assembled single-use instrument designed to provide safety, consistency and convenience.



VICTUS® FEMTOSECOND LASER PLATFORM

The VICTUS® Femtosecond Laser is a versatile platform with cataract, LASIK flap, and therapeutic indications. It features Swept Source (2S) OCT Technology for live, online, continuous viewing of the entire procedure for all procedures.





Bausch+Lomb Surgical's extensive support service ensures maximum performance.



CUSTOMER SERVICES

An effective team is available to meet customer's needs relating to orders, pricing, product availability, returns, deliveries and credit notes. These services have strengthened our partnerships with healthcare professionals.



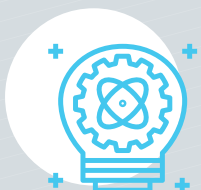
GLOBAL LOGISTIC CAPABILITIES

Orders and deliveries around the world are ensured by the Bausch+Lomb Surgical's Global Network of service representatives and distributors. Delivery time is around 24-48 hours.



TECHNICAL SERVICES

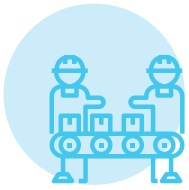
Engineers from Bausch+Lomb Surgical receive rigorous certification to prevent problems before they arise. A monitoring system enables software updates and data back-ups, with field engineers dispatched as needed.



RESEARCH & DEVELOPMENT

Bausch+Lomb Surgical's R&D focuses on the development of technologically innovative products. Products are engineered in five centers around the world: Saint Louis (Missouri, USA) for equipment; Clearwater (Florida, USA) for intraocular lenses; Irvine (California, USA) for IOL parts; Munich (Germany) for lasers and Heidelberg (Germany) for instruments.





MANUFACTURING OVERVIEW

Bausch+Lomb Surgical's manufacturing sites are situated in the United States and in Europe.



MANUFACTURING SITE St. Louis, Missouri, USA

- Cataract and Vitreoretinal Equipment and Accessories



MANUFACTURING SITE Manchester, Missouri, USA

- Reusable Instruments



MANUFACTURING SITE O'Fallon, Missouri, USA

- Synergetics instruments and equipments



MANUFACTURING SITE Munich, Germany

- Laser Equipment



MANUFACTURING SITE Heidelberg, Germany

- Single Use and Reusable Instruments



MANUFACTURING SITE Clearwater, Florida, USA

- IOL manufacturing



MANUFACTURING SITE Warsaw, Poland

- IOL manufacturing

REFERENCES

SYSTEM

BL11145 Stellaris Elite™ Anterior System

ANTERIOR PACKS

BL5115-1 Adaptive Fluidics™ Premium Pack

BL5115-2 Adaptive Fluidics™ Standard Pack

BL5115-3 Adaptive Fluidics™ MICS Premium Pack

BL5115-4 Adaptive Fluidics™ Basic Pack

BL3170 Phaco handpiece

Please contact your Bausch + Lomb representative for more information on our complete cataract platform.



**EMPOWER
YOUR TEAM WITH
STELLARIS ELITE™**

YOUR NEW PARTNER IN THEATRE

To introduce you to Stellaris Elite™, we would be happy to arrange a free trial.

Stellaris Elite™ is a trademark of Bausch & Lomb Incorporated or its affiliates.



@BauschSurgical



Bausch + Lomb Surgical

www.bauschsurgical.eu